

JZV SERIES
105°C Low Impedance, High Temperature Reflow Soldering

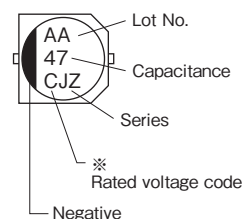
- Load Life : 105°C 2000 hours.
- AEC-Q200.


◆ SPECIFICATIONS

Items	Characteristics																								
Category Temperature Range	-55~+105°C																								
Rated Voltage Range	6.3~35Vdc																								
Capacitance Tolerance	±20% (20°C, 120Hz)																								
Leakage Current(MAX)	I=0.01CV or 3μA whichever is greater. (After 2 minutes application of rated voltage) I=Leakage Current(μA) C=Capacitance(μF) V=Rated Voltage(Vdc)																								
Dissipation Factor(MAX) (tanδ)	<table border="1"> <thead> <tr> <th>Rated Voltage (Vdc)</th> <th>6.3</th> <th>10</th> <th>16</th> <th>25</th> <th>35</th> </tr> </thead> <tbody> <tr> <td>(20°C, 120Hz)</td> <td>0.26</td> <td>0.19</td> <td>0.16</td> <td>0.14</td> <td>0.12</td> </tr> </tbody> </table>	Rated Voltage (Vdc)	6.3	10	16	25	35	(20°C, 120Hz)	0.26	0.19	0.16	0.14	0.12												
Rated Voltage (Vdc)	6.3	10	16	25	35																				
(20°C, 120Hz)	0.26	0.19	0.16	0.14	0.12																				
Endurance	After applying rated voltage with rated ripple current for 2000 hours at 105°C, the capacitors shall meet the following requirements. <table border="1"> <tbody> <tr> <td>Capacitance Change</td> <td>Within ±30% of the initial value.</td> </tr> <tr> <td>Dissipation Factor</td> <td>Not more than 200% of the specified value.</td> </tr> <tr> <td>Leakage Current</td> <td>Not more than the specified value.</td> </tr> </tbody> </table>	Capacitance Change	Within ±30% of the initial value.	Dissipation Factor	Not more than 200% of the specified value.	Leakage Current	Not more than the specified value.																		
Capacitance Change	Within ±30% of the initial value.																								
Dissipation Factor	Not more than 200% of the specified value.																								
Leakage Current	Not more than the specified value.																								
Low Temperature Stability Impedance Ratio(MAX)	<table border="1"> <thead> <tr> <th>Rated Voltage (Vdc)</th> <th>6.3</th> <th>10</th> <th>16</th> <th>25</th> <th>35</th> </tr> </thead> <tbody> <tr> <td>Z(-25°C)/Z(20°C)</td> <td>2</td> <td>2</td> <td>2</td> <td>2</td> <td>2</td> </tr> <tr> <td>Z(-40°C)/Z(20°C)</td> <td>3</td> <td>3</td> <td>3</td> <td>3</td> <td>3</td> </tr> <tr> <td>Z(-55°C)/Z(20°C)</td> <td>4</td> <td>4</td> <td>4</td> <td>3</td> <td>3</td> </tr> </tbody> </table> (120Hz)	Rated Voltage (Vdc)	6.3	10	16	25	35	Z(-25°C)/Z(20°C)	2	2	2	2	2	Z(-40°C)/Z(20°C)	3	3	3	3	3	Z(-55°C)/Z(20°C)	4	4	4	3	3
Rated Voltage (Vdc)	6.3	10	16	25	35																				
Z(-25°C)/Z(20°C)	2	2	2	2	2																				
Z(-40°C)/Z(20°C)	3	3	3	3	3																				
Z(-55°C)/Z(20°C)	4	4	4	3	3																				

◆ MULTIPLIER FOR RIPPLE CURRENT

Frequency (Hz)		120	1k	10k	100k≤
Coefficient	4.7μF	0.30	0.60	0.80	1.00
	10~47μF	0.32	0.75	0.90	1.00
	100μF	0.50	0.80	0.95	1.00
	220~1000μF	0.60	0.85	0.95	1.00

◆ MARKING


※ Voltage Code

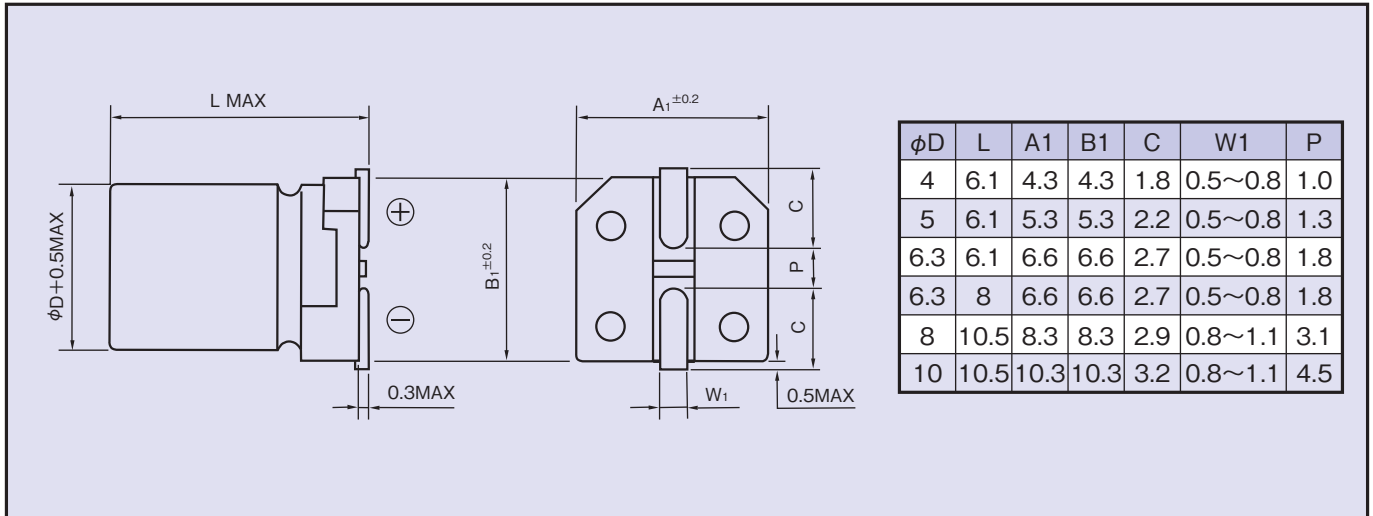
Rated Voltage (Vdc)	6.3	10	16	25	35
Rated Voltage code	j	A	C	E	V

◆ PART NUMBER

□□□	JZV	□□□□□	M	□□□	D×L
Rated Voltage	Series	Capacitance	Capacitance Tolerance	Option	Case Size

◆ DIMENSIONS

(mm)



◆ STANDARD SIZE

Size φD×L(mm), Rated Ripple Current (mA r.m.s./105°C, 100kHz), Impedance(Ω MAX/20°C, 100kHz)

Vdc	Cap (μF)	Size (φD×L)	Ripple	Impedance	
6.3	22	4×6.1	90	1.35	
	47	4×6.1	90	1.35	
		5×6.1	170	0.70	
	100	5×6.1	170	0.70	
		6.3×6.1	250	0.36	
	220	6.3×6.1	250	0.36	
		6.3×8	300	0.34	
	330	6.3×8	300	0.34	
1000	8×10.5	600	0.16		
10	33	4×6.1	90	1.35	
	220	6.3×8	300	0.34	
	470	8×10.5	600	0.16	
	680	8×10.5	600	0.16	
	1000	10×10.5	850	0.08	
16	10	4×6.1	90	1.35	
	22	4×6.1	90	1.35	
		5×6.1	170	0.70	
	33	5×6.1	170	0.70	
	47	5×6.1	170	0.70	
		6.3×6.1	250	0.36	
	100	6.3×6.1	250	0.36	
		6.3×8	300	0.34	
	220	6.3×8	300	0.34	
	330	8×10.5	600	0.16	
	470	8×10.5	600	0.16	
	680	10×10.5	850	0.08	
	25	33	5×6.1	170	0.70
6.3×6.1			250	0.36	
47		6.3×6.1	250	0.36	
100		6.3×8	300	0.34	
220		8×10.5	600	0.16	
330		8×10.5	600	0.16	
470		10×10.5	850	0.09	
35		4.7	4×6.1	90	1.45
		10	4×6.1	90	1.45
			5×6.1	170	0.70
		22	5×6.1	170	0.70
			6.3×6.1	250	0.36
		33	6.3×6.1	250	0.36
	47	6.3×6.1	250	0.36	
		6.3×8	300	0.34	
	100	6.3×8	300	0.34	
		8×10.5	600	0.16	
220	8×10.5	600	0.16		
330	10×10.5	850	0.09		