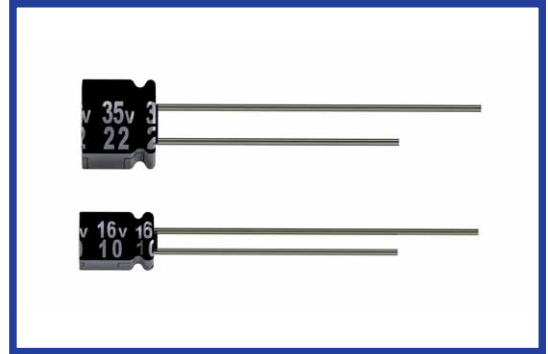


MH5 SERIES

105°C 5mm Height

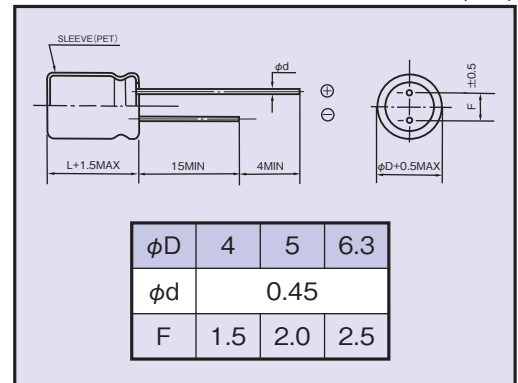
*Load Life : 105°C 1000 hours.



◆SPECIFICATIONS

Items	Characteristics																								
Category Temperature Range	-40~+105°C																								
Rated Voltage Range	6.3~50Vdc																								
Capacitance Tolerance	±20% (20°C, 120Hz)																								
Leakage Current(MAX)	I=0.01CV or 3μA whichever is greater. (After 2 minutes application of rated voltage) I=Leakage Current(μA) C=Capacitance(μF) V=Rated Voltage(Vdc)																								
Dissipation Factor(MAX) (tanδ)	<table border="1"> <tr> <td>Rated Voltage (Vdc)</td> <td>6.3</td> <td>10</td> <td>16</td> <td>25</td> <td>35</td> <td>50</td> <td>(20°C, 120Hz)</td> </tr> <tr> <td>tanδ</td> <td>0.28</td> <td>0.24</td> <td>0.20</td> <td>0.16</td> <td>0.13</td> <td>0.12</td> <td></td> </tr> </table>	Rated Voltage (Vdc)	6.3	10	16	25	35	50	(20°C, 120Hz)	tanδ	0.28	0.24	0.20	0.16	0.13	0.12									
Rated Voltage (Vdc)	6.3	10	16	25	35	50	(20°C, 120Hz)																		
tanδ	0.28	0.24	0.20	0.16	0.13	0.12																			
Endurance	After applying rated voltage with rated ripple current for 1000 hours at 105°C, the capacitors shall meet the following requirements. <table border="1"> <tr> <td>Capacitance Change</td> <td>Within ±25% of the initial value.</td> </tr> <tr> <td>Dissipation Factor</td> <td>Not more than 200% of the specified value.</td> </tr> <tr> <td>Leakage Current</td> <td>Not more than the specified value.</td> </tr> </table>	Capacitance Change	Within ±25% of the initial value.	Dissipation Factor	Not more than 200% of the specified value.	Leakage Current	Not more than the specified value.																		
Capacitance Change	Within ±25% of the initial value.																								
Dissipation Factor	Not more than 200% of the specified value.																								
Leakage Current	Not more than the specified value.																								
Low Temperature Stability Impedance Ratio(MAX)	<table border="1"> <tr> <td>Rated Voltage (Vdc)</td> <td>6.3</td> <td>10</td> <td>16</td> <td>25</td> <td>35</td> <td>50</td> <td>(120Hz)</td> </tr> <tr> <td>Z(-25°C)/Z(20°C)</td> <td>3</td> <td>3</td> <td>2</td> <td>2</td> <td>2</td> <td>2</td> <td></td> </tr> <tr> <td>Z(-40°C)/Z(20°C)</td> <td>8</td> <td>5</td> <td>4</td> <td>3</td> <td>3</td> <td>3</td> <td></td> </tr> </table>	Rated Voltage (Vdc)	6.3	10	16	25	35	50	(120Hz)	Z(-25°C)/Z(20°C)	3	3	2	2	2	2		Z(-40°C)/Z(20°C)	8	5	4	3	3	3	
Rated Voltage (Vdc)	6.3	10	16	25	35	50	(120Hz)																		
Z(-25°C)/Z(20°C)	3	3	2	2	2	2																			
Z(-40°C)/Z(20°C)	8	5	4	3	3	3																			

◆DIMENSIONS (mm)



◆MULTIPLIER FOR RIPPLE CURRENT

Frequency (Hz)	60(50)	120	500	1k	10k≤	
Coefficient	0.47~1μF	0.50	1.00	1.20	1.30	1.50
	2.2~4.7μF	0.65	1.00	1.20	1.30	1.50
	10~47μF	0.80	1.00	1.20	1.30	1.50
	100μF	0.80	1.00	1.10	1.15	1.20

◆STANDARD SIZE Size φD×L(mm), Rated Ripple Current (mA r.m.s./105°C, 120Hz)

Vdc	Cap (μF)	Size (φD×L)	Rated Ripple Current	
6.3	22	4×5	23	
	33	5×5	30	
	47	5×5	37	
	100	6.3×5	57	
10	22	5×5	28	
	33	5×5	34	
	47	6.3×5	52	
	100	6.3×5	62	
16	10	4×5	20	
	22	5×5	31	
	33	6.3×5	48	
	47	6.3×5	56	
	100	6.3×5	62	
25	10	5×5	22	
	22	6.3×5	44	
	33	6.3×5	48	
	47	6.3×5	56	
35	4.7	4×5	17	
	10	5×5	24	
	22	6.3×5	48	
	50	0.47	4×5	4
		1	4×5	8
2.2		4×5	13	
3.3		4×5	14	
4.7	5×5	18		
10	6.3×5	28		

◆OPTION

	Code
PET Sleeve	EFC

◆PART NUMBER

