

CFX SERIES
Load Life : 105°C 5000 hours

*For LED Lighting.

 RoHS
compliance

◆SPECIFICATIONS

Items	Characteristics	
Category Temperature Range	-25~+105°C	
Rated Voltage Range	160~450Vdc	
Capacitance Tolerance	±20% (20°C, 120Hz)	
Leakage Current(MAX)	CV≤1000	CV>1000
	I=0.1CV+40µA (1 minute) I=0.03CV+15µA (5 minutes)	I=0.04CV+100µA (1 minute) I=0.02CV+25µA (5 minutes)
	I=Leakage Current(µA) C=Capacitance(µF) V=Rated Voltage(Vdc)	
Dissipation Factor(MAX) (tanδ)	Rated Voltage (Vdc)	160 200 250 350 400 450 (20°C, 120Hz)
	tanδ	0.15 0.15 0.15 0.20 0.20 0.20
Endurance	After applying rated voltage with rated ripple current for 5000 hrs at 105°C, the capacitors shall meet the following requirements.	
	Capacitance Change	Within ±20% of the initial value.
	Dissipation Factor	Not more than 200% of the specified value.
	Leakage Current	Not more than the specified value.
Low Temperature Stability Impedance Ratio(MAX)	Rated Voltage (Vdc)	160 200 250 350 400 450 (120Hz)
	Z(-25°C)/Z(20°C)	3 3 3 6 6 6

◆MULTIPLIER FOR RIPPLE CURRENT

Frequency (Hz)		120	1k	10k	100k≤
Coefficient	2.2~4.7µF	0.2	0.4	0.8	1.0
	6.8~10µF	0.3	0.6	0.9	1.0
	22~100µF	0.5	0.8	0.9	1.0

◆OPTION

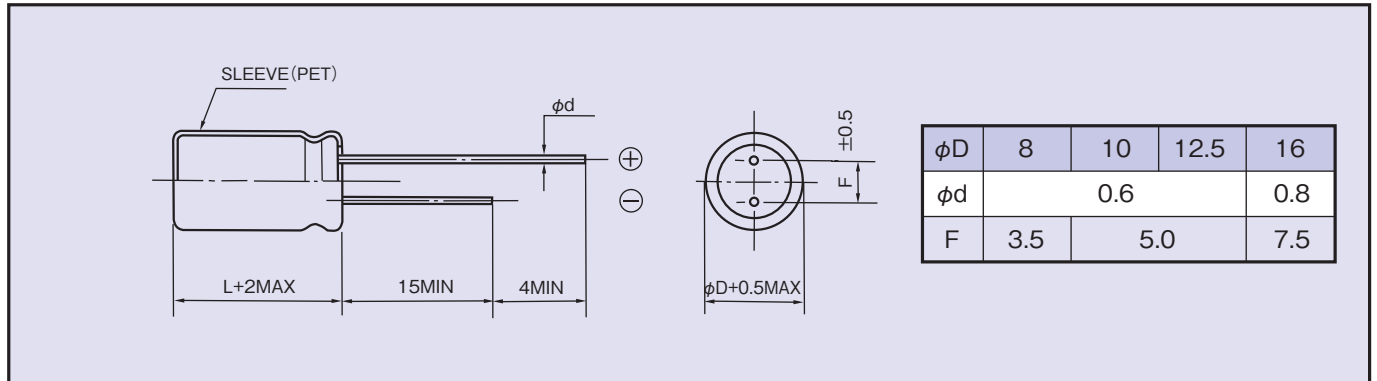
	Code
PET Sleeve	EFC

◆PART NUMBER

□□□	CFX	□□□□□	M	□□□	□□	DXL
Rated Voltage	Series	Capacitance	Capacitance Tolerance	Option	Lead Forming	Case Size

◆ **DIMENSIONS**

(mm)



◆ **STANDARD SIZE**

Rated Voltage (Vdc)	Capacitance (μF)	Size $\phi D \times L$ (mm)	Rated Ripple Current (mA r.m.s. 105°C, 100kHz)
160	27	10×12.5	601
200	10	10×16	300
	22	10×12.5	595
		10×16	360
	33	10×20	500
	47	12.5×20	660
	68	12.5×25	760
	100	16×25	1120
250	6.8	10×12.5	340
	10	10×16	300
	15	10×12.5	468
	22	10×20	500
	33	12.5×20	600
	47	12.5×25	720
	68	16×25	920

Rated Voltage (Vdc)	Capacitance (μF)	Size $\phi D \times L$ (mm)	Rated Ripple Current (mA r.m.s. 105°C, 100kHz)	
350	3.3	10×16	180	
	4.7	10×16	220	
	6.8	10×16	220	
	10	10×12.5	400	
		10×20	280	
	22	12.5×20	350	
	33	12.5×25	430	
	47	16×25	660	
	400	2.2	10×16	160
		3.3	10×16	180
4.7		10×16	220	
6.8		10×16	220	
8.2		8×23	400	
		10×12.5	330	
10		10×20	280	
22		12.5×25	430	
33		16×25	640	
450		3.3	10×12.5	307