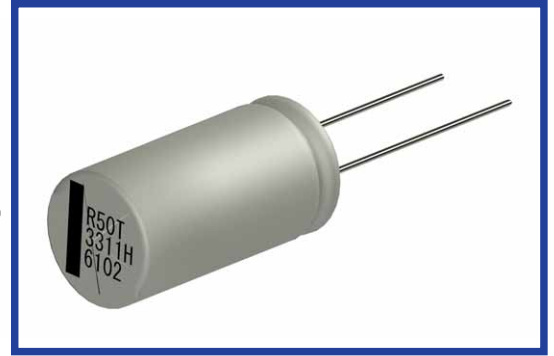


**RX50 SERIES**

Load Life : 150°C 1000 hours

- Solution for high temperature application such as automobile electronics.
- AEC-Q200.

RoHS compliance

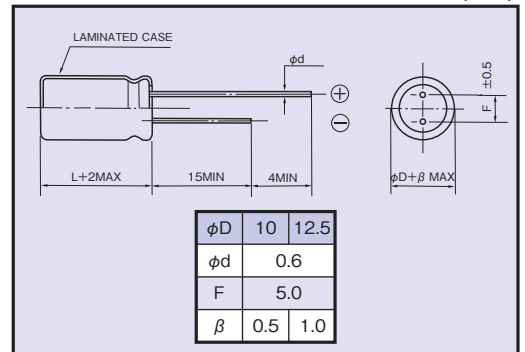


◆SPECIFICATIONS

Items	Characteristics																								
Category Temperature Range	-40~+150°C																								
Rated Voltage Range	10~63Vdc																								
Capacitance Tolerance	±20% (20°C, 120Hz)																								
Leakage Current(MAX)	I=0.01CV or 3μA whichever is greater. (After 5 minutes application of rated voltage) I=Leakage Current(μA) C=Capacitance(μF) V=Rated Voltage(Vdc)																								
Dissipation Factor(MAX) (tanδ)	<table border="1"> <tr> <td>Rated Voltage (Vdc)</td> <td>10</td> <td>16</td> <td>25</td> <td>35</td> <td>50</td> <td>63</td> <td>(20°C, 120Hz)</td> </tr> <tr> <td>tanδ</td> <td>0.20</td> <td>0.16</td> <td>0.14</td> <td>0.12</td> <td>0.12</td> <td>0.11</td> <td></td> </tr> </table>	Rated Voltage (Vdc)	10	16	25	35	50	63	(20°C, 120Hz)	tanδ	0.20	0.16	0.14	0.12	0.12	0.11									
Rated Voltage (Vdc)	10	16	25	35	50	63	(20°C, 120Hz)																		
tanδ	0.20	0.16	0.14	0.12	0.12	0.11																			
Endurance	After applying rated voltage with rated ripple current for 1000 hours at 150°C, the capacitors shall meet the following requirements. <table border="1"> <tr> <td>Capacitance Change</td> <td>Within ±30% of the initial value.</td> </tr> <tr> <td>Dissipation Factor</td> <td>Not more than 300% of the specified value.</td> </tr> <tr> <td>Leakage Current</td> <td>Not more than the specified value.</td> </tr> </table>	Capacitance Change	Within ±30% of the initial value.	Dissipation Factor	Not more than 300% of the specified value.	Leakage Current	Not more than the specified value.																		
Capacitance Change	Within ±30% of the initial value.																								
Dissipation Factor	Not more than 300% of the specified value.																								
Leakage Current	Not more than the specified value.																								
Low Temperature Stability Impedance Ratio(MAX)	<table border="1"> <tr> <td>Rated Voltage (Vdc)</td> <td>10</td> <td>16</td> <td>25</td> <td>35</td> <td>50</td> <td>63</td> <td>(120Hz)</td> </tr> <tr> <td>Z(-25°C) / Z(20°C)</td> <td>2</td> <td>2</td> <td>2</td> <td>2</td> <td>2</td> <td>2</td> <td></td> </tr> <tr> <td>Z(-40°C) / Z(20°C)</td> <td>4</td> <td>4</td> <td>4</td> <td>4</td> <td>4</td> <td>4</td> <td></td> </tr> </table>	Rated Voltage (Vdc)	10	16	25	35	50	63	(120Hz)	Z(-25°C) / Z(20°C)	2	2	2	2	2	2		Z(-40°C) / Z(20°C)	4	4	4	4	4	4	
Rated Voltage (Vdc)	10	16	25	35	50	63	(120Hz)																		
Z(-25°C) / Z(20°C)	2	2	2	2	2	2																			
Z(-40°C) / Z(20°C)	4	4	4	4	4	4																			

◆DIMENSIONS

(mm)



◆MULTIPLIER FOR RIPPLE CURRENT

Frequency (Hz)	60 (50)	120	1k	10k	100k≤
47~220μF	0.30	0.40	0.75	0.92	1.00
330~1000μF	0.40	0.50	0.80	0.95	1.00

◆OPTION

Standard item is blank.

◆STANDARD SIZE

Rated Voltage (Vdc)	Capacitance (μF)	Size φD×L(mm)	Rated ripple current (mA r.m.s./150°C, 100kHz)	Rated Voltage (Vdc)	Capacitance (μF)	Size φD×L(mm)	Rated ripple current (mA r.m.s./150°C, 100kHz)
10	470	10×16	370	35	100	10×16	370
	1000	12.5×20	600		220	10×20	460
16	330	10×16	370		330	12.5×20	600
	470	10×20	460		470	12.5×25	750
25	1000	12.5×25	750	50	100	10×20	300
	220	10×16	370		220	12.5×20	400
	330	10×20	460		330	12.5×25	500
63	470	12.5×20	600	63	47	10×16	220
					100	12.5×20	350

◆PART NUMBER

